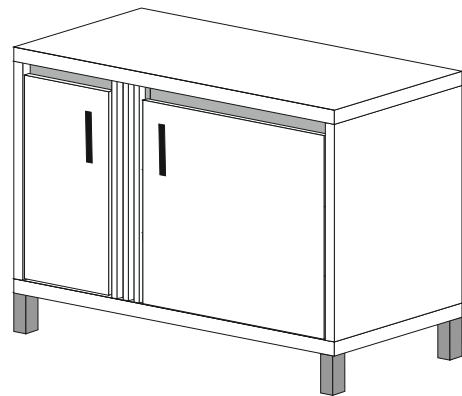
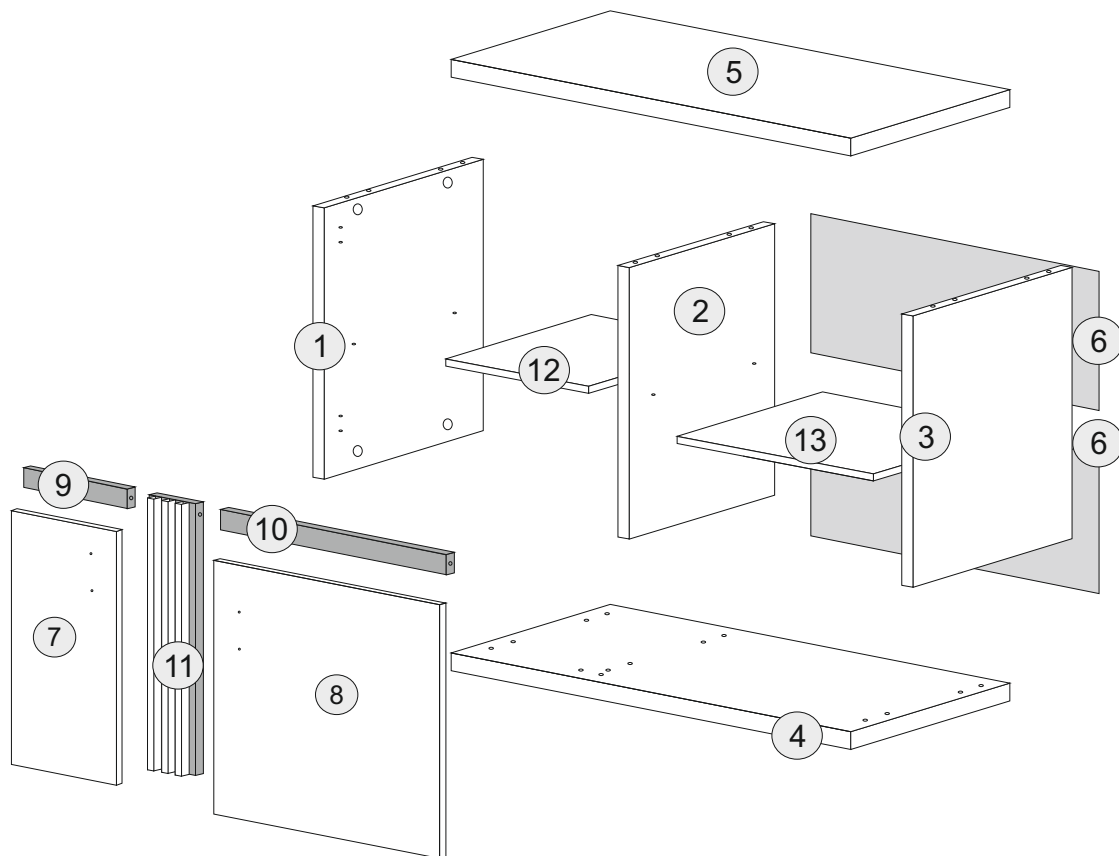
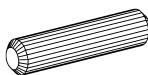
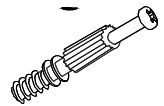

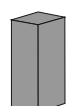

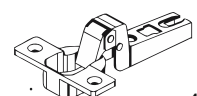
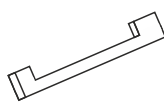
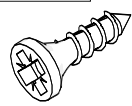
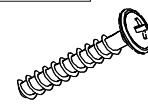
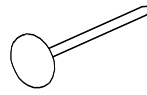
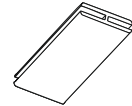
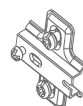
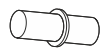


# Nadia 9



- |    |                      |                       |
|----|----------------------|-----------------------|
| Ⓟ  | Instrukcja montażu   | Karta gwarancyjna     |
| Ⓓ  | Aufbauanleitung      | der Garantieschein    |
| ⒼⒷ | Assembly instruction | Guarantee certificate |
| ⓈⓀ | Návod na montáž      | Záručný list          |



<b>B</b>  x12	<b>C</b>  x20	<b>D</b>  x20	<b>N</b>  x4	<b>L</b>  x4	<b>E1</b>  x4
<b>U</b>  x2	<b>W2 3.5x16</b>  x8	<b>W3 4x27</b>  x4	<b>M.</b>  x40	<b>H</b>  x1	<b>E2</b>  x4
<b>K</b>  x8					

