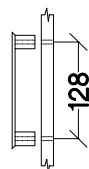
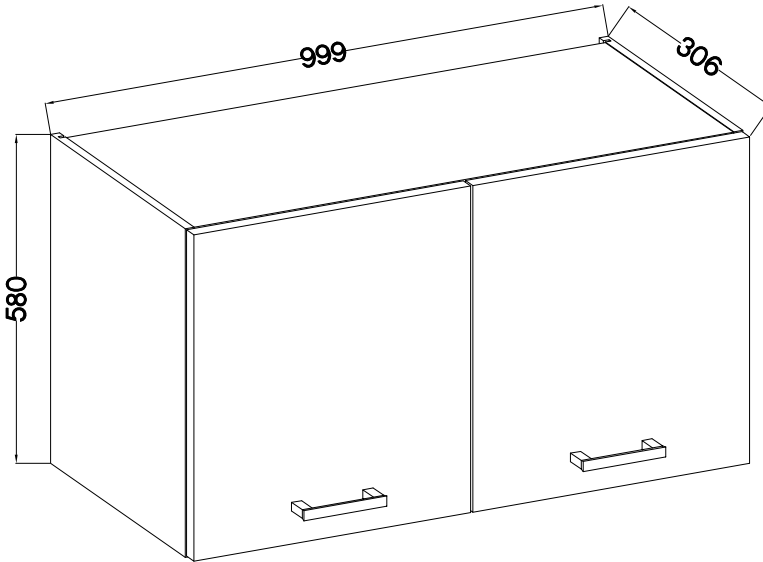
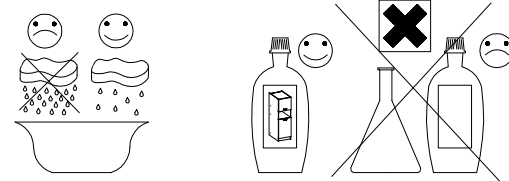
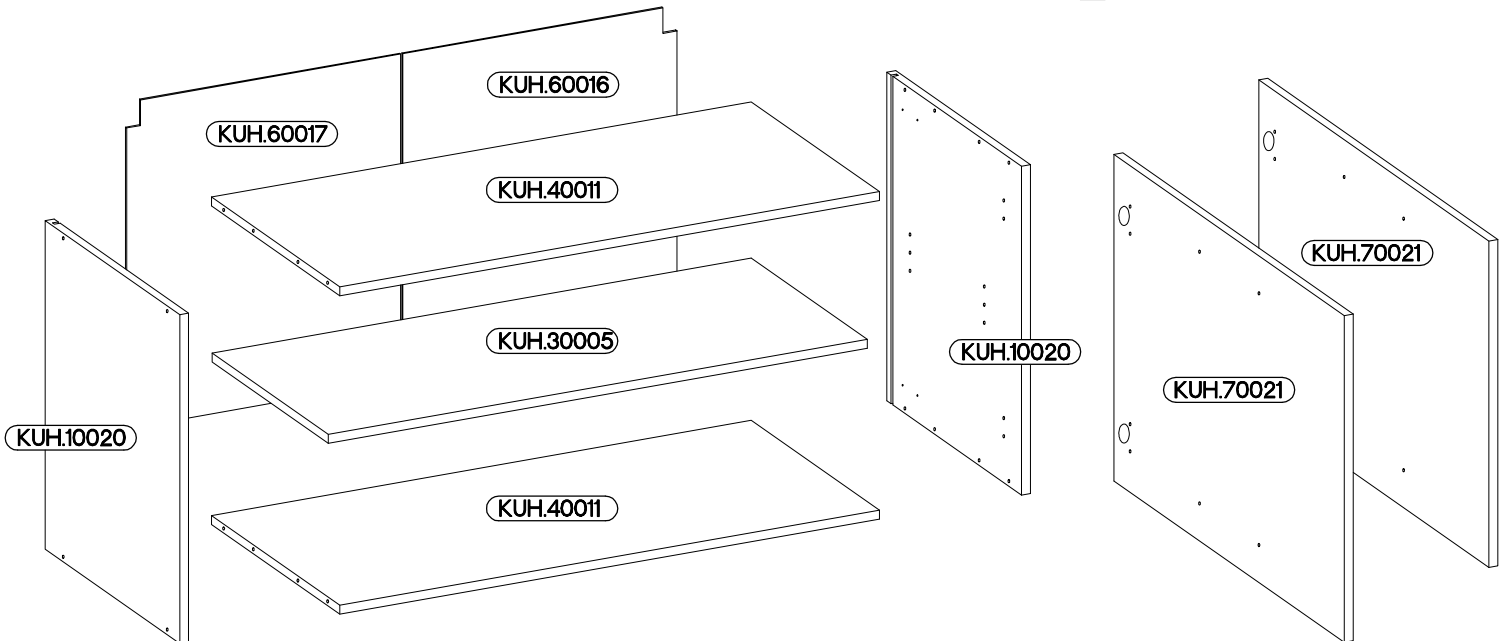
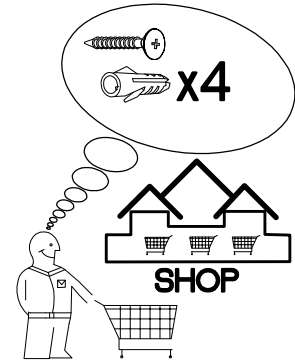
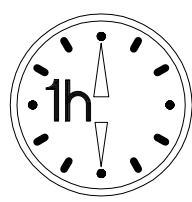


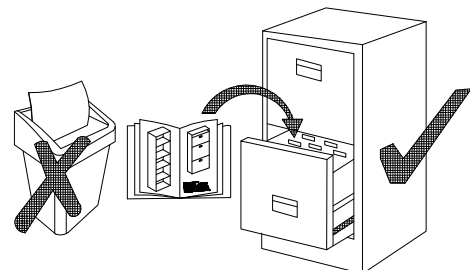
**H 100/58 ZPW**



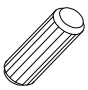
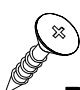
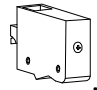
max. 5kg  
 KUH.30005  
 KUH.40011

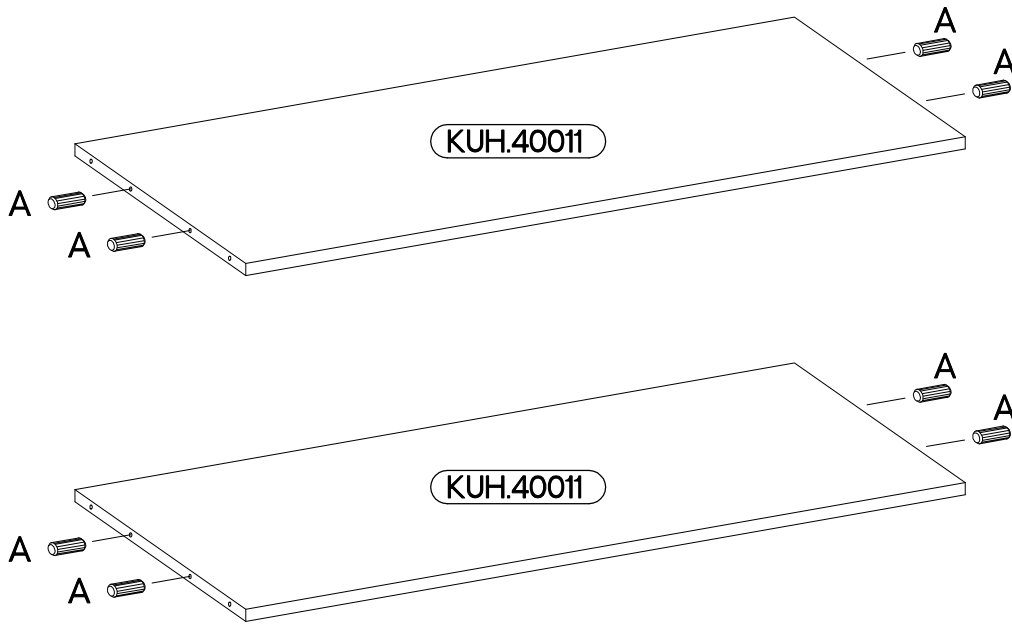
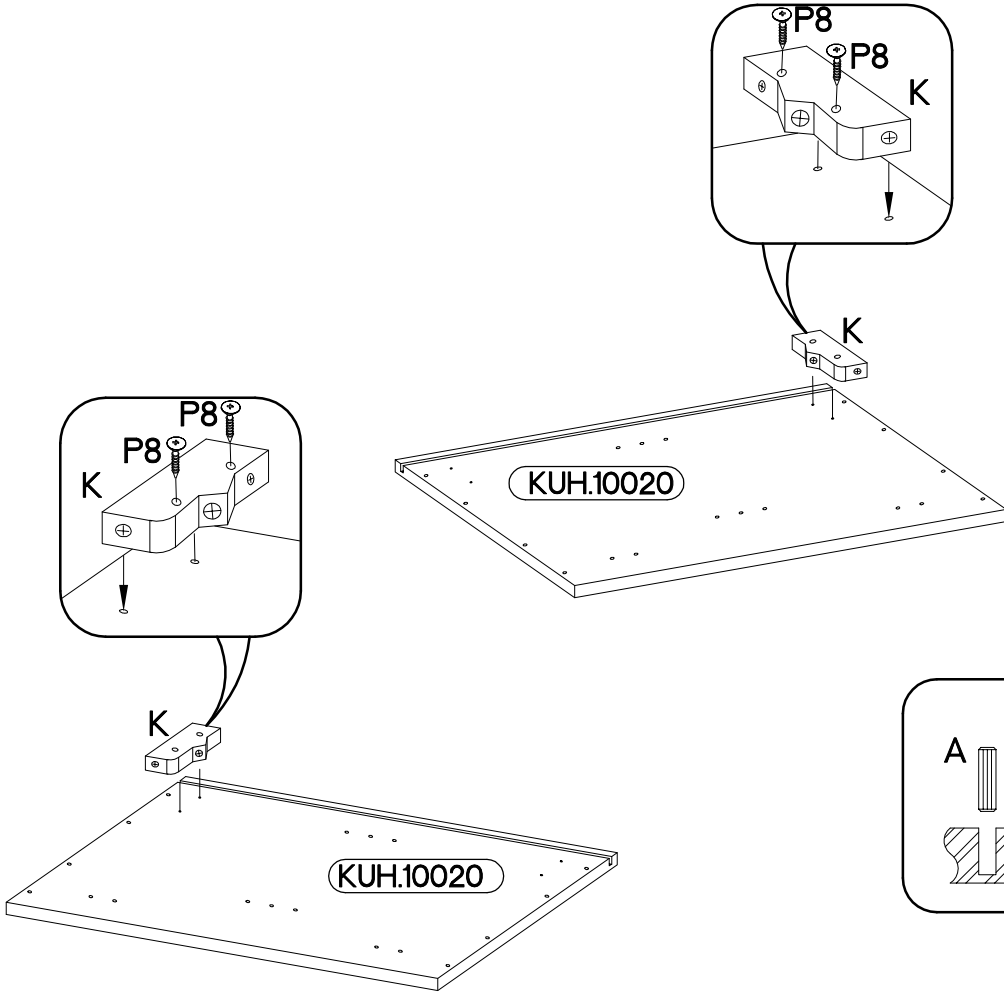
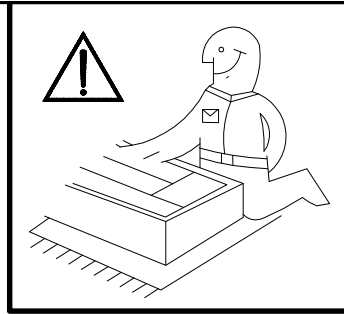


<b>A</b>	<b>B</b>	<b>E1</b>	<b>HG</b>	<b>J</b>	<b>K</b>	<b>K16</b>
8	8	8	4	4	2	2
<b>L1</b>	<b>O</b>	<b>P5</b>	<b>P7</b>	<b>P8</b>	<b>R2</b>	<b>S</b>
L=544mm		+3.5x13mm	+3.0x20mm	+4.0x30mm	+4.0x30mm	L=128mm
1	1	8	15-20	4	4	2



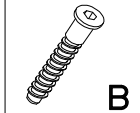
**ISM-KUH-01530**

$\pm 8 \times 30 \text{mm}$  A	$\pm 4.0 \times 30 \text{mm}$  P8	 K
8	4	2



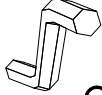
2

6,4 x 50mm



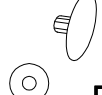
B

4



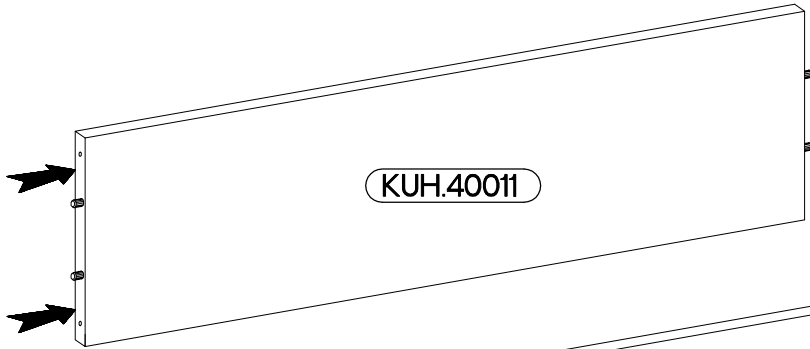
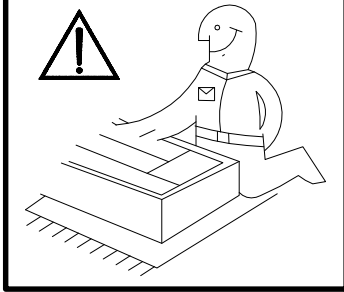
O

1

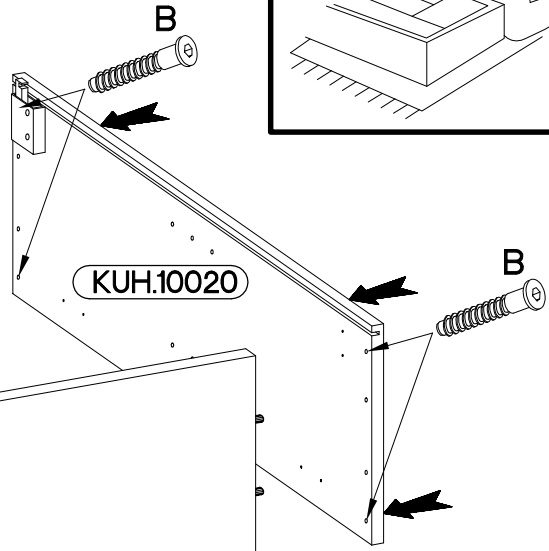


E1

4

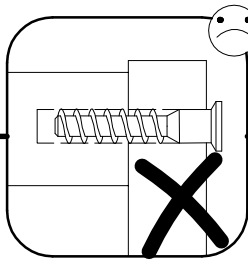
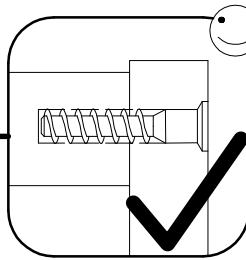
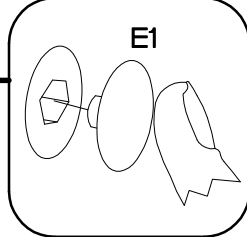
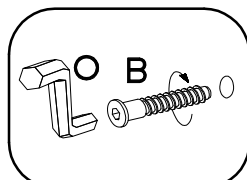


KUH.40011

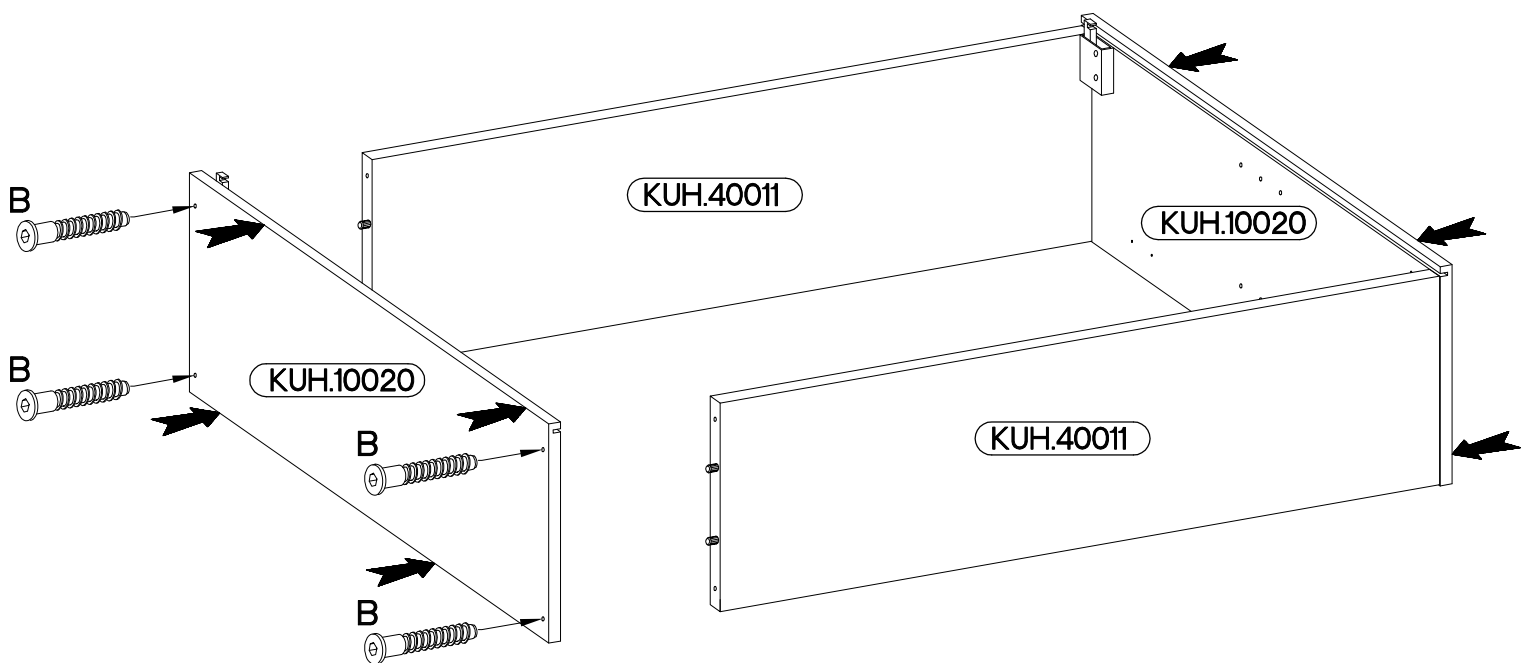


KUH.10020

KUH.40011



3



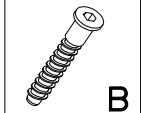
KUH.40011

KUH.10020

KUH.10020

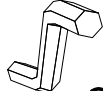
KUH.40011

6,4 x 50mm



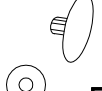
B

4



O

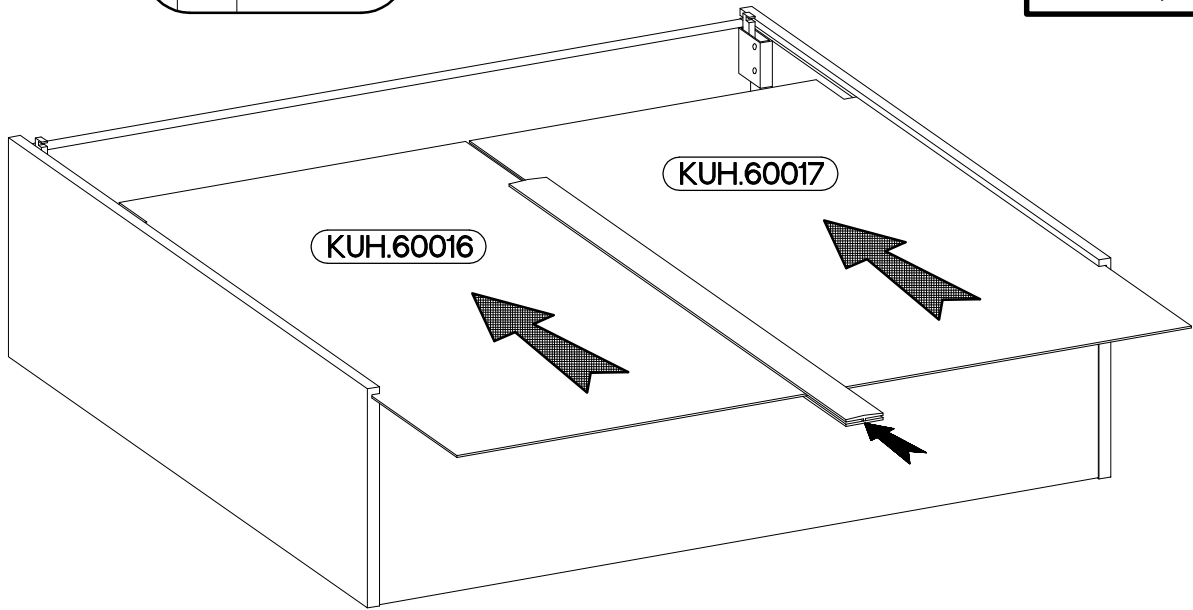
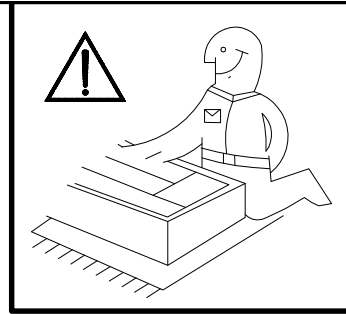
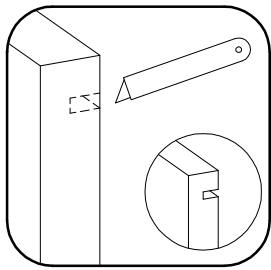
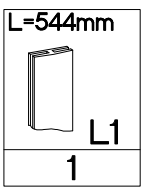
1



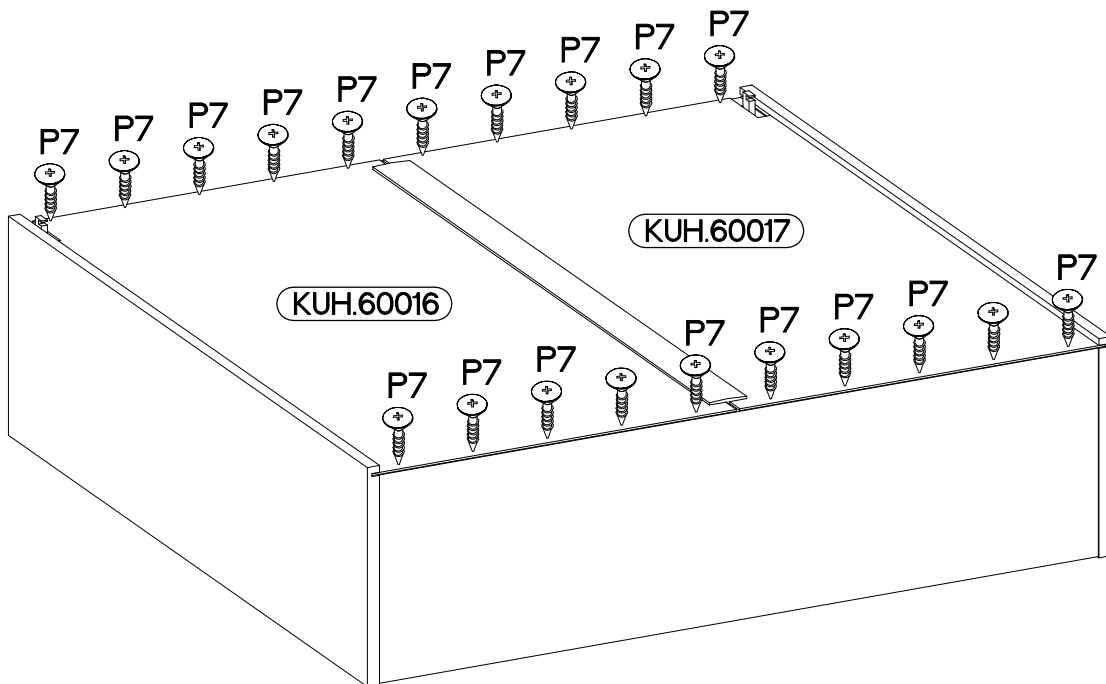
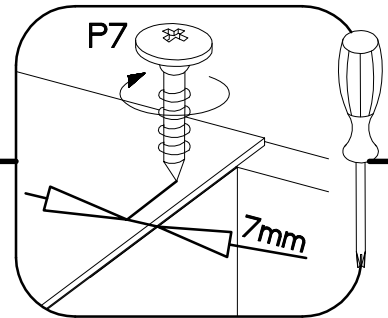
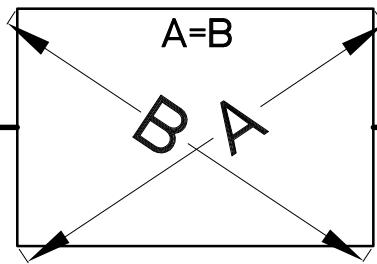
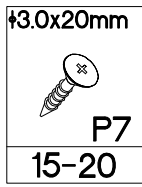
E1

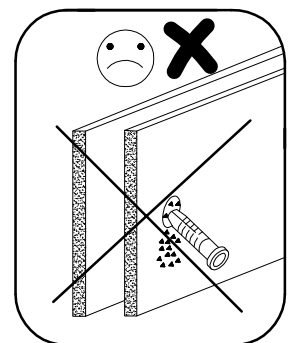
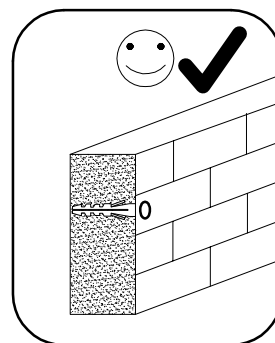
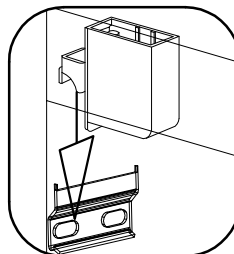
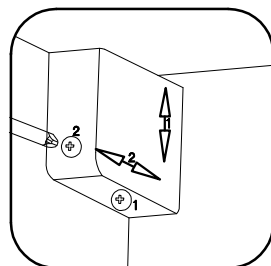
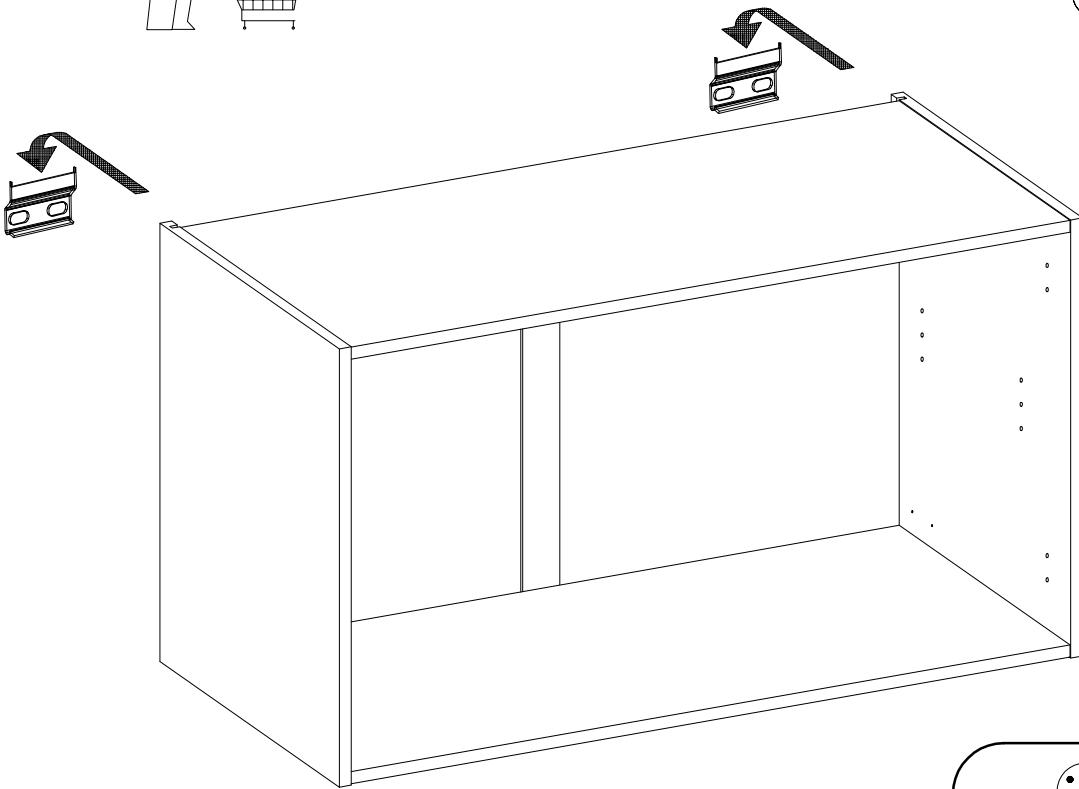
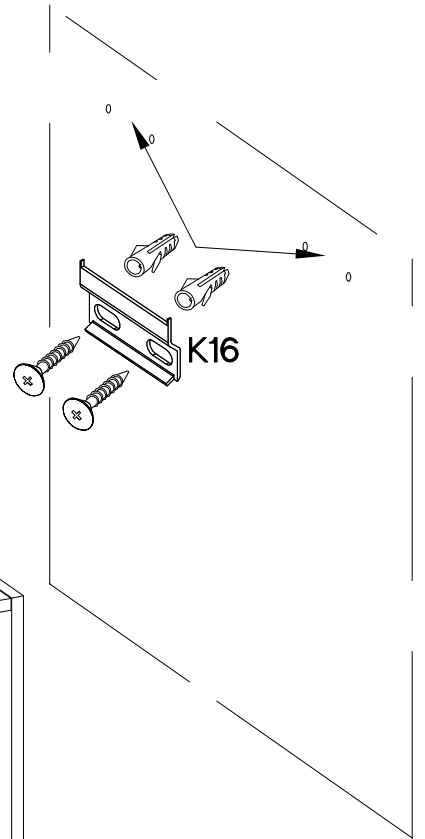
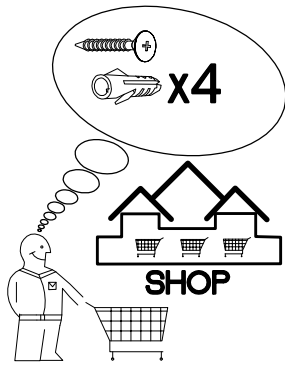
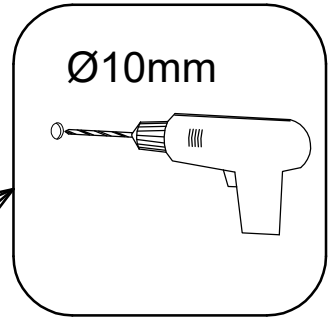
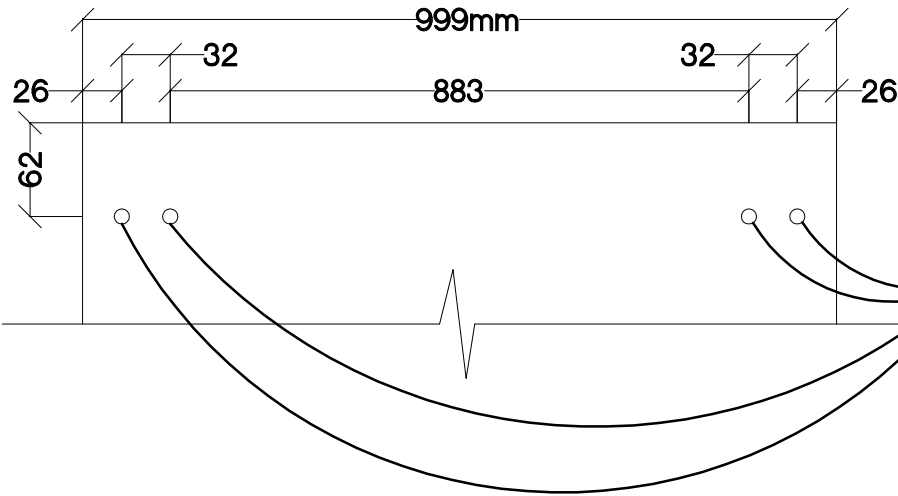
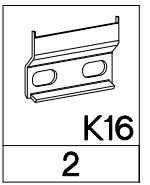
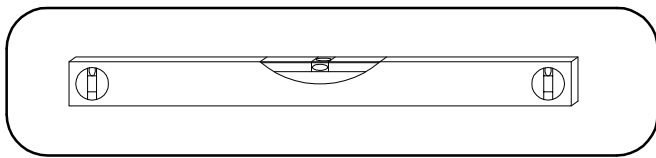
4

4




5





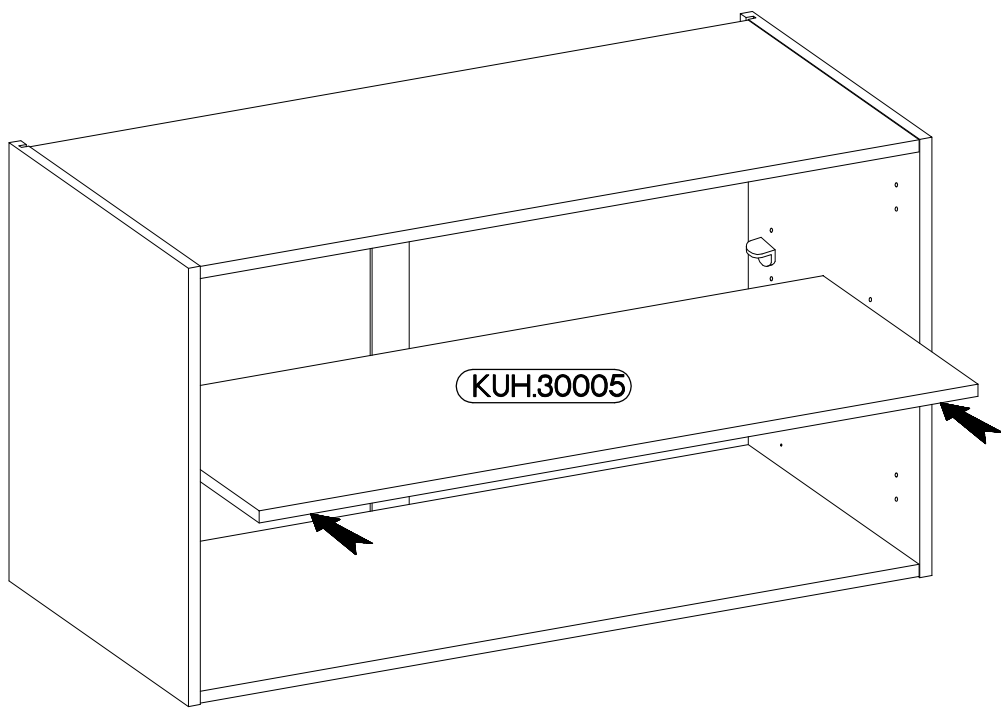
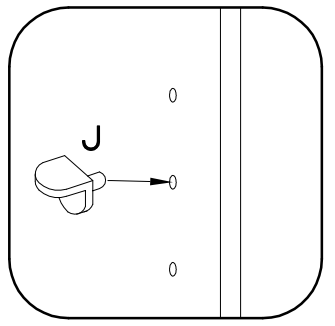
7

+5/19mm

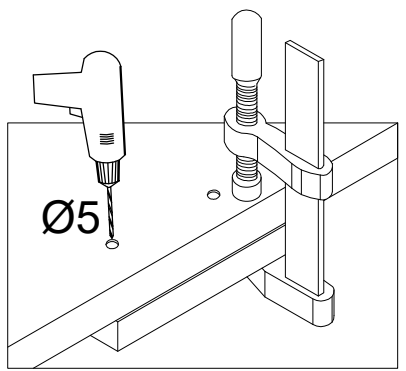
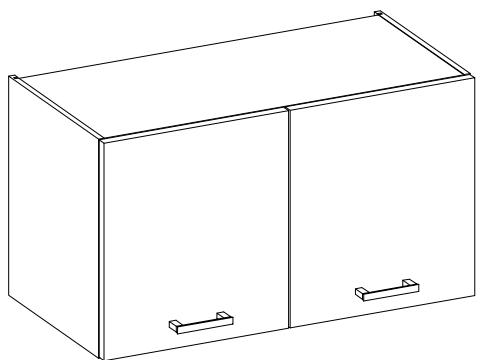
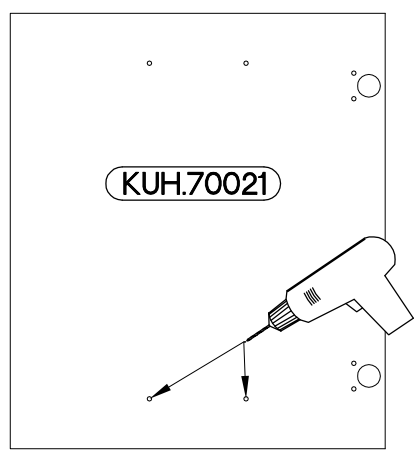
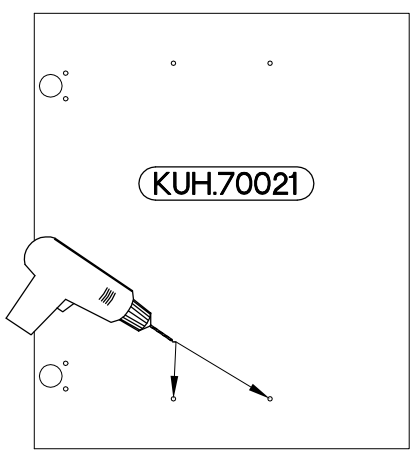
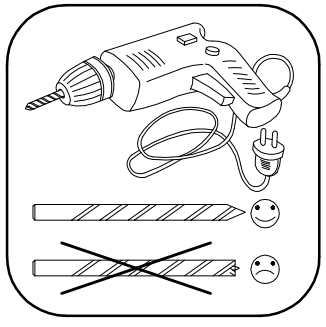


J



4

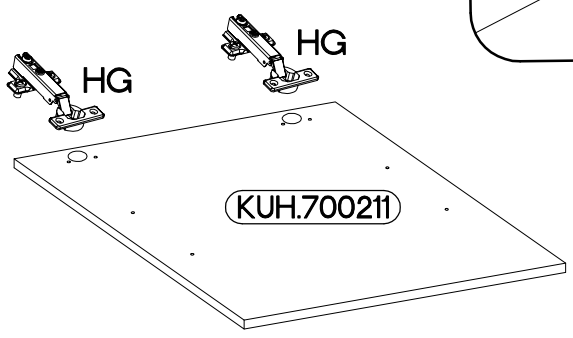
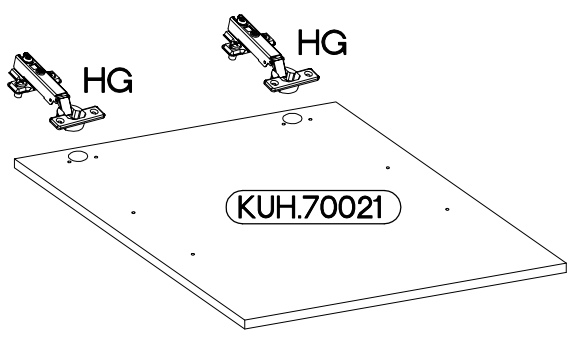
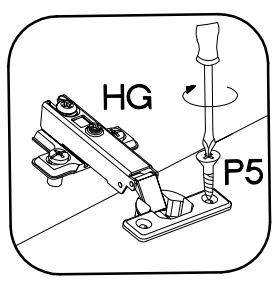


8





9

+35/0mm	+3.5x13mm
	
HG	P5
4	8



10

+4.0x30mm	L=128mm
	
R2	S
4	2

